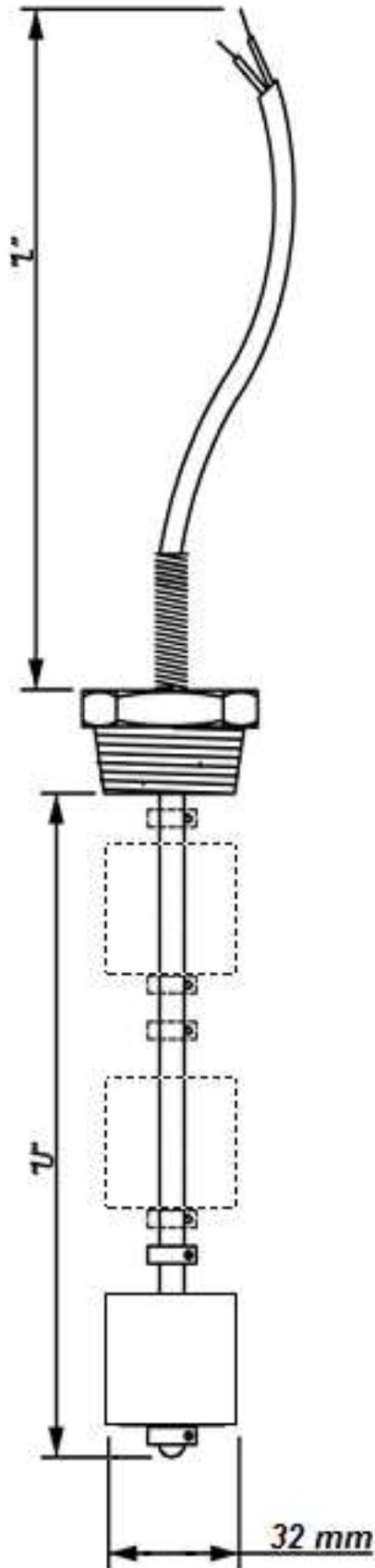


TYPE FL32B



Type FL32B is a standard float switch designed for monitoring liquid levels.

The float switch can be equipped with one or more point switches (floats) and a variety of process connections are available. The material of the floats is Buna N type. The standard case material for other immersed parts is ST.ST.316.

Type FL32B is available in a variety of features and options to meet users' specific requirements, including:

- Number of Floats
- Process Connection
- Material
- Dimensions

Michshur S. Z. (1984) Ltd
8 Hagavish St.
P. O. B. 1951 Holon 5881614
ISRAEL
Phone: 972-3-6508585 Fax: 972-3-6508586

HOW TO ORDER

TABLE NO

1

2

3

4

5

6

EXAMPLE
ORDER NO
FL32B

2

3

C

8

250

5C

Example Order No. = Type FL32B; two floats; three contacts; 1 1/2" B.S.P process connection ; ST.ST.316 material ; 250mm long ; 5 meter PVC cable connection.

Table 1. Floats

Insert number of floats

Table 2. Contacts

Insert number of contacts

Table 3. Process Connection

Order	Diameter
A	1" BSP
B	1 ¼" BSP
C	1 ½" BSP
M	2" BSP
O	Other

Table 4. Material

Order	Description
8	316 ST.ST.
O	Other

Table 5. Dimension "U"

Insert "U" in mm
(3 digit)

Table 6. Connection Head

Order	Description
15A	Cast aluminum epoxy coated screwed cover
16B	Aluminum type "B"
18P	Reinforced Polypropilene
19E	EX-proof Cast aluminum epoxy coated
20I	Cast iron epoxy coated screwed cover
21GN	Nylon + Glass Fiber
22GP	Glass Reinforced Polyamid
23PH	Phenil Polyoxide
XC	X meters PVC Cable connection